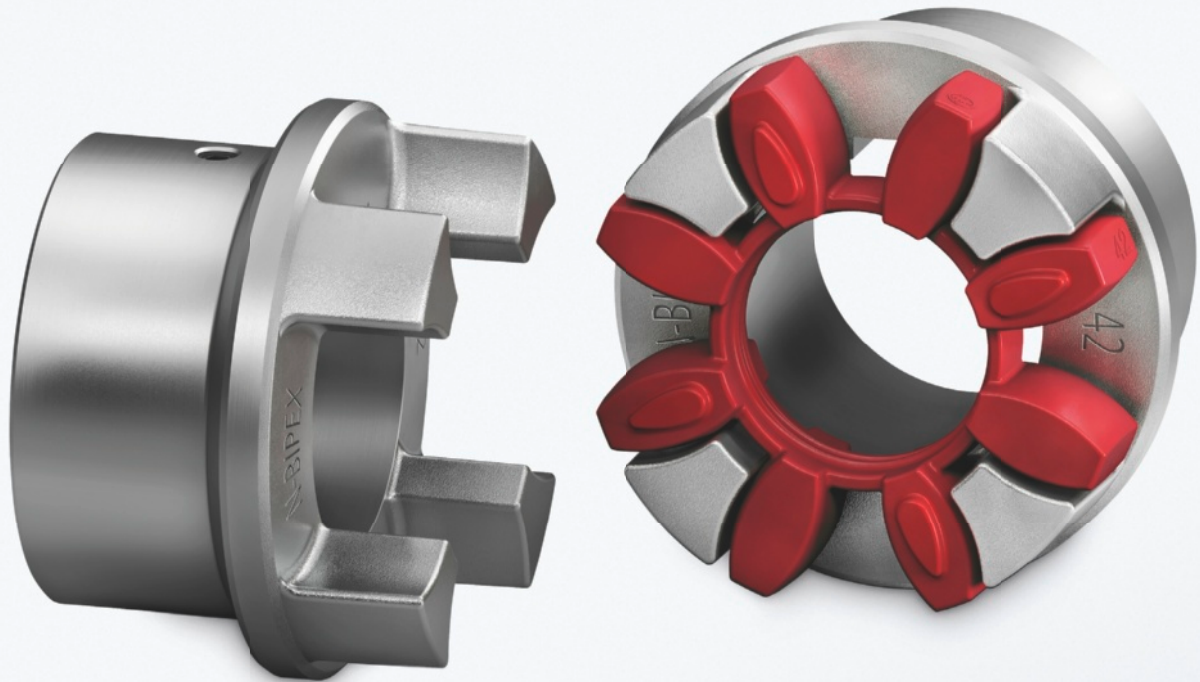


**SIEMENS**



# FLENDER Standard Couplings

N-BIPEX

FLENDER couplings

Catalog  
MD 10.1 N

Edition  
May 2015

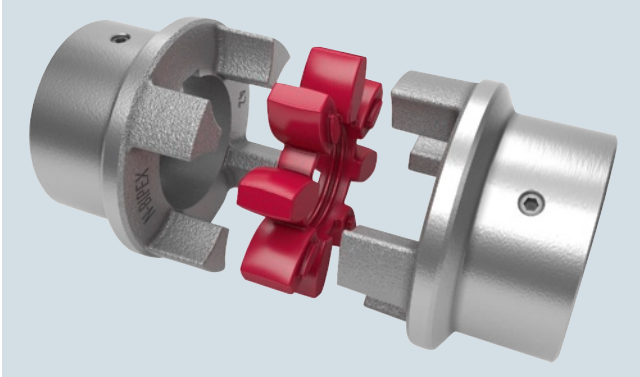
Answers for industry.

# FLENDER Standard Couplings

## Flexible Couplings – N-BIPEX Series

### General

#### Overview



N-BIPEX couplings are torsionally flexible and are outstanding for their particularly compact design and low weight.

N-BIPEX couplings are used in many areas of mechanical engineering.

Their main area of use is in electric motor drives which are well aligned and have uniform torque loads, such as in hydraulic applications and in combinations with geared motors.

#### Benefits

N-BIPEX couplings are suitable for horizontal, vertical and freely selectable mounting positions. They are able to absorb axial, radial and angular misalignment.

N-BIPEX couplings consist of two identical hub parts which can be arranged as required on the shaft extensions to be connected. N-BIPEX couplings transmit the torque positively and are thus fail-safe. The curved design of the cast cams ensures that the N-BIPEX couplings have a perfect pressure distribution and this increases the elastomer lifetime.

The flexible cam rings responsible for torque transmission and misalignment compensation are available in different Shore hardnesses. As a result of the good damping capability and by selecting the suitable stiffness, torque shock loads can thus be absorbed and the torsional vibration behavior of the drive can be positively influenced. Different cam ring versions and ready-to-install hub parts are available from stock.

#### Application



The N-BIPEX coupling is available as a catalog standard in 10 sizes with rated torques of between 12 Nm and 4650 Nm and is made of high-grade spheroidal graphite cast iron.

The extremely high-performance cam ring materials are available from stock in three different Shore hardnesses with the following colors:



- 92 ShoreA – red
- 95 ShoreA – green
- 64 ShoreD – blue




An additional size marking has been provided on the outer surface of the cam ring to be able to determine the size of the N-BIPEX even when it is in the assembled state without having to use any additional aids.

The coupling is suitable for use at ambient temperatures between  $-50\text{ °C}$  and  $+100\text{ °C}$  without any restrictions on the rated torque as a result of temperature factors.

**Coupling suitable for potentially explosive environments. Complies with Directive 94/9/EC for:**


 II 2 G IIB T4/T5/T6  
 $-50\text{ °C} \leq T_a \leq +100\text{ °C}/+70\text{ °C}/+55\text{ °C}$

 II 2D T 120 °C  
 $-50\text{ °C} \leq T_a \leq +90\text{ °C}$

 I M2

# FLENDER Standard Couplings

## Flexible Couplings – N-BIPEX Series

**General**

**Function**

The torque is transmitted to the hub at the drive end via the shaft-hub connection, which is mostly designed as a keyway connection, and is transmitted to the hub on the output side via the cam ring. This hub then further transmits the torque to the driven machine or a gear unit placed in between. The special cam design helps to keep the compression-loaded cam ring elements in

their defined position under all operating conditions and to keep them evenly loaded. This results in a long lifetime of the flexible elements. A long lifetime is also guaranteed by the hub parts which ensure maximum operational reliability even under harsh operating conditions.

**Design**

The N-BIPEX coupling of type BWN comprises two identical hub parts connected by a cam ring of elastomer material.

The hubs are connected to the respective shafts via finished bores with parallel keyway connection.

N-BIPEX couplings are positive-locking and torsionally flexible thanks to the thermoplastic polyurethane cam ring.

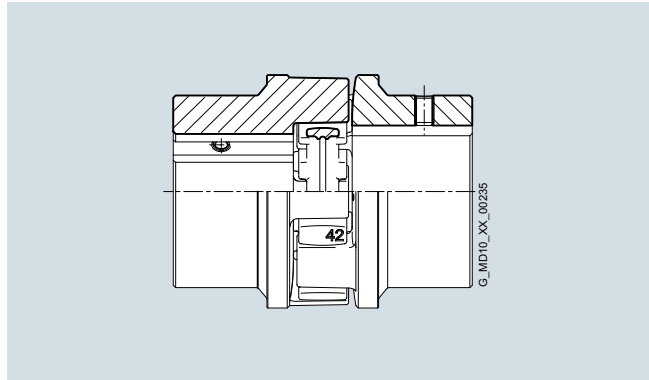
**Coupling materials**

Hubs:

EN-GJS-400-15

Cam ring:

- TPU 92 ShoreA -50 °C to +100 °C without any restrictions
- TPU 95 ShoreA -50 °C to +100 °C without any restrictions
- TPU 64 ShoreD -50 °C to +100 °C without any restrictions



Size	Un-drilled	Preferred bores from stock with cylindrical finished bores Ø in mm H7, parallel keyway according to DIN 6885-1 JS9																																				
		10	11	12	14	15	16	17	18	19	20	22	24	25	28	30	32	35	38	40	42	45	48	50	55	60	65	70	75	80	85	90	100	110	120			
19																																						
24																																						
28																																						
38																																						
42																																						
48																																						
55																																						
65																																						
75																																						
90																																						

Preferred bores



# FLENDER Standard Couplings

## Flexible Couplings – N-BIPEX Series

### General

#### Technical specifications

##### Cam rings

##### Cam rings of polyurethane 92 ShoreA (standard)

Size	Rated torque	Maximum torque	Fatigue torque	Maximum speed $V \leq 45$ m/s	Damping coefficient $\Psi$	Torsional stiffness at 50 % capacity utilization $C_{Tdyn}$ 50 %	Permitted shaft misalignment at <sup>1)</sup>		
	$T_{KN}$ Nm	$T_{Kmax}$ Nm	$T_{KW}$ Nm	$n_{max}$ rpm			< 10 Hz $\Delta K_a$ mm	$n = 1500$ rpm $\Delta K_r$ mm	$\Delta K_w$ degrees
19	12	36	2	19500	1.4	530	0.30	0.17	0.5
24	45	135	7	14500	1.4	1790	0.40	0.23	0.5
28	95	285	14	12500	1.4	3060	0.50	0.25	0.5
38	190	570	29	10000	1.4	6500	0.60	0.29	0.5
42	265	795	40	8500	1.4	8200	0.70	0.34	0.5
48	330	990	50	7500	1.4	10000	0.80	0.38	0.5
55	460	1380	70	6500	1.4	14500	0.90	0.40	0.5
65	670	2010	100	6000	1.4	25600	1.00	0.45	0.5
75	1400	4200	210	5000	1.4	37400	1.20	0.52	0.5
90	2500	7500	375	4000	1.4	62700	1.40	0.60	0.5

##### Cam rings of polyurethane 95 ShoreA (ordering option **-Z** and order code **K01**)

Size	Rated torque	Maximum torque	Fatigue torque	Maximum speed $V \leq 45$ m/s	Damping coefficient $\Psi$	Torsional stiffness at 50 % capacity utilization $C_{Tdyn}$ 50 %	Permitted shaft misalignment at <sup>1)</sup>		
	$T_{KN}$ Nm	$T_{Kmax}$ Nm	$T_{KW}$ Nm	$n_{max}$ rpm			< 10 Hz $\Delta K_a$ mm	$n = 1500$ rpm $\Delta K_r$ mm	$\Delta K_w$ degrees
19	18	54	3	19500	1.4	1130	0.27	0.15	0.4
24	65	195	10	14500	1.4	4240	0.36	0.21	0.4
28	160	480	25	12500	1.4	8050	0.45	0.23	0.4
38	325	975	50	10000	1.4	14100	0.54	0.26	0.4
42	450	1350	70	8500	1.4	16200	0.63	0.31	0.4
48	550	1650	85	7500	1.4	23300	0.72	0.34	0.4
55	700	2100	105	6500	1.4	28500	0.81	0.36	0.4
65	1000	3000	150	6000	1.4	35000	0.90	0.41	0.4
75	2000	6000	300	5000	1.4	66300	1.08	0.47	0.4
90	3700	11100	555	4000	1.4	105000	1.26	0.54	0.4

##### Cam rings of polyurethane 64 ShoreD (ordering option **-Z** and order code **K04**)

Size	Rated torque	Maximum torque	Fatigue torque	Maximum speed $V \leq 45$ m/s	Damping coefficient $\Psi$	Torsional stiffness at 50 % capacity utilization $C_{Tdyn}$ 50 %	Permitted shaft misalignment at <sup>1)</sup>		
	$T_{KN}$ Nm	$T_{Kmax}$ Nm	$T_{KW}$ Nm	$n_{max}$ rpm			< 10 Hz $\Delta K_a$ mm	$n = 1500$ rpm $\Delta K_r$ mm	$\Delta K_w$ degrees
19	25	75	5	19500	1.4	2010	0.24	0.14	0.3
24	90	270	15	14500	1.4	7680	0.32	0.18	0.3
28	200	600	30	12500	1.4	12200	0.40	0.20	0.3
38	405	1215	60	10000	1.4	25100	0.48	0.23	0.3
42	560	1680	84	8500	1.4	32000	0.56	0.27	0.3
48	700	2100	105	7500	1.4	41200	0.64	0.30	0.3
55	925	2775	140	6500	1.4	52600	0.72	0.32	0.3
65	1200	3600	180	6000	1.4	86700	0.80	0.36	0.3
75	2600	7800	390	5000	1.4	143000	0.96	0.42	0.3
90	4650	13950	700	4000	1.4	234000	1.12	0.48	0.3

##### Torsional stiffness and damping

The values stated in the above table apply to a capacity utilization of 50 %, an excitation amplitude of 10 %  $T_{KN}$  with frequency 10 Hz and an ambient temperature of 20 °C. The dynamic torsional stiffness ( $C_{Tdyn}$ ) is load-dependent and increases in proportion to capacity utilization. The following table shows the correction factors for different nominal load.

$$C_{Tdyn} = C_{Tdyn\ 50\%} \cdot FKC$$

Correction factor FKC	Capacity utilization $T_N / T_{KN}$						
	20 %	40 %	50 %	60 %	70 %	80 %	100 %
92/95 ShoreA and 64 ShoreD	0.56	0.85	1.00	1.17	1.35	1.53	1.92

Furthermore, torsional stiffness and damping depend on the ambient temperature, the frequency and the amplitude of the torsional vibration excitation. More precise torsional stiffness and damping parameters on request.

With flexible couplings the manufacturing process of the rubber elements and their aging primarily influence the stiffness value  $C_{Tdyn}$ . For this reason calculation must be made with a tolerance for the dynamic stiffness of  $\pm 20$  %. The specified damping coefficient  $\Psi$  is a minimum value with the result that the damping performance of the coupling corresponds at least to the specified value.

<sup>1)</sup> The maximum speed must be observed. Please refer to the Operating Instructions for further information on permitted shaft misalignment.

# FLENDER Standard Couplings

## Flexible Couplings – N-BIPEX Series

General

### Permitted shaft misalignment

The permitted shaft misalignment depends on the operating speed. As the speed increases, lower shaft misalignment values are permitted. The following table shows the correction factors for different speeds. The maximum speed depending on the respective coupling size and type must be observed!

$$\Delta K_{\text{perm}} = \Delta K_{1500} \cdot \text{FKV}$$

	Speed in rpm			
	500	1000	1500	3000
Correction factor FKV	1.20	1.10	1.00	0.70

The axial misalignment may occur dynamically at frequencies up to 10 Hz. For fitting, the maximum gap dimension of  $S2 \text{ max.} = S2 + \Delta S2$  and the minimum gap dimension of  $S2 \text{ min.} = S2 - \Delta S2$  are permitted.

The shaft misalignments  $\Delta K_a$ ,  $\Delta K_r$  and  $\Delta K_w$  may occur simultaneously (see Catalog MD 10.1, page 2/2).

### Assignment of N-BIPEX sizes to output $P_M$ of IEC standard motors

The assignment applies for an service factor of 1.25 and the use of a standard cam ring (92 ShoreA).

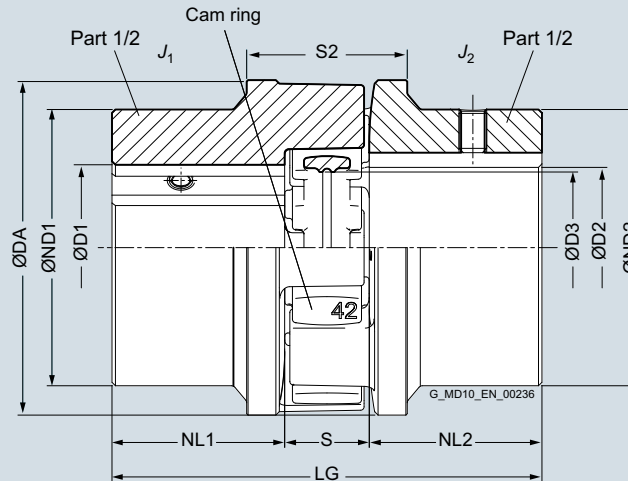
Three-phase motor Size	Motor		N-BIPEX coupling Size	Motor		N-BIPEX coupling Size	Motor		N-BIPEX coupling Size	Motor		N-BIPEX coupling Size	DE shaft end D x E acc. to IEC	
	Output at $\approx 3000$ rpm			Output at $\approx 1500$ rpm			Output at $\approx 1000$ rpm			Output at $\approx 750$ rpm				
	$P_M$ kW	$T$ Nm	$P_M$ kW	$T$ Nm	$P_M$ kW	$T$ Nm	$P_M$ kW	$T$ Nm	$P_M$ kW	$T$ Nm	D mm	E mm		
<b>80</b>	0.75	2.5	<b>19</b>	0.55	3.7	<b>19</b>	0.37	3.9	<b>19</b>	0.18	2.5	<b>19</b>	19	40
	1.1	3.7	<b>19</b>	0.75	5.1	<b>19</b>	0.55	5.8	<b>19</b>	0.25	3.5	<b>19</b>	19	40
<b>90S</b>	1.5	5	<b>19</b>	1.1	7.5	<b>19</b>	0.75	8	<b>19</b>	0.37	5.3	<b>19</b>	19	40
	1.5	5	<b>19</b>	1.1	7.5	<b>19</b>	0.75	8	<b>19</b>	0.37	5.3	<b>19</b>	24	50
<b>90L</b>	2.2	7.4	<b>19</b>	1.5	10	<b>24</b>	1.1	12	<b>24</b>	0.55	7.9	<b>24</b>	19	40
	2.2	7.4	<b>19</b>	1.5	10	<b>24</b>	1.1	12	<b>24</b>	0.55	7.9	<b>24</b>	24	50
<b>100L</b>	3	9.8	<b>24</b>	2.2	15	<b>24</b>	1.5	15	<b>24</b>	0.75	11	<b>24</b>	28	60
				3	20	<b>24</b>	1.5	15	<b>24</b>	1.1	16	<b>24</b>	28	60
<b>112M</b>	4	13	<b>24</b>	4	27	<b>24</b>	2.2	22	<b>24</b>	1.5	21	<b>24</b>	28	60
<b>132S</b>	5.5	18	<b>28</b>	5.5	36	<b>28</b>	3	30	<b>28</b>	2.2	30	<b>28</b>	38	80
	7.5	25	<b>28</b>										38	80
<b>132M</b>				7.5	49	<b>28</b>	4	40	<b>28</b>	3	40	<b>28</b>	38	80
							5.5	55	<b>28</b>				38	80
<b>160M</b>	11	36	<b>38</b>	11	72	<b>38</b>	7.5	75	<b>38</b>	4	54	<b>38</b>	42	110
	15	49	<b>38</b>							5.5	74	<b>38</b>	42	110
<b>160L</b>	18.5	60	<b>38</b>	15	98	<b>38</b>	11	109	<b>38</b>	7.5	100	<b>38</b>	42	110
	22	71	<b>38</b>	18.5	121	<b>38</b>							48	110
<b>180M</b>				22	144	<b>38</b>	15	148	<b>42</b>	11	145	<b>42</b>	48	110
<b>200L</b>	30	97	<b>42</b>	30	196	<b>42</b>	18.5	181	<b>42</b>	15	198	<b>42</b>	55	110
	37	120	<b>42</b>				22	215	<b>42</b>				55	110
<b>225S</b>				37	240	<b>48</b>				18.5	244	<b>48</b>	60	140
<b>225M</b>	45	145	<b>42</b>										55	110
				45	292	<b>55</b>	30	293	<b>55</b>	22	290	<b>55</b>	60	140
<b>250M</b>	55	177	<b>48</b>										60	140
				55	356	<b>55</b>	37	361	<b>55</b>	30	392	<b>65</b>	65	140
<b>280S</b>	75	241	<b>55</b>										65	140
				75	484	<b>65</b>	45	438	<b>65</b>	37	483	<b>65</b>	75	140
<b>280M</b>	90	289	<b>55</b>										65	140
				90	581	<b>75</b>	55	535	<b>75</b>	45	587	<b>75</b>	75	140
<b>315S</b>	110	353	<b>55</b>										65	140
				110	707	<b>75</b>	75	727	<b>75</b>	55	712	<b>75</b>	80	170
<b>315M</b>	132	423	<b>65</b>										65	140
				132	849	<b>75</b>	90	873	<b>75</b>	75	971	<b>75</b>	80	170
<b>315L</b>	160	513	<b>65</b>										65	140
	200	641	<b>75</b>										65	140
				160	1030	<b>75</b>	110	1070	<b>75</b>	90	1170	<b>90</b>	80	170
				200	1290	<b>90</b>	132	1280	<b>90</b>	110	1420	<b>90</b>	80	170
<b>315</b>							160	1550	<b>90</b>	132	1710	<b>90</b>	85	170
	250	802	<b>75</b>										65	140
	315	1010	<b>90</b>										65	140
<b>355</b>				250	1600	<b>90</b>	200	1930	<b>90</b>				85	170
	355	1140	<b>90</b>										75	140
	400	1280	<b>90</b>										75	140
<b>400</b>	500	1600	<b>90</b>										75	140
	560	1790	<b>90</b>										80	170

# FLENDER Standard Couplings

## Flexible Couplings – N-BIPEX Series

Type BWN

### Selection and ordering data



Size	Rated torque	Rated torque	Rated torque	Speed	Dimensions in mm										Mass moment of inertia <sup>1)</sup>	Article No.	Weight <sup>2)</sup>
	$T_{KN}$	$T_{KN}$	$T_{KN}$		$n_{max}$	Bore with keyway to DIN 6885-1		DA	ND1/ND2	NL1/NL2	D3	S	S2	ΔS2			
	92 ShoreA	95 ShoreA	64 ShoreD		D1/D2	min ... max									kgm <sup>2</sup>		kg
19	12	18	25	19500	0 ... 25	42	38	25	17	16	31	1.0	66	0.000045	<b>2LC0160-0AA</b> ■ ■ ■ <b>-0AA0</b>	0.3	
24	45	65	90	14500	0 ... 35	57	50	30	25	18	37	1.5	78	0.00015	<b>2LC0160-1AA</b> ■ ■ ■ <b>-0AA0</b>	0.6	
28	95	160	200	12500	0 ... 39	67	58	35	28	20	41	1.0	90	0.00033	<b>2LC0160-2AA</b> ■ ■ ■ <b>-0AA0</b>	1	
38	190	325	405	10000	0 ... 48	82	68	45	36	24	45	1.5	114	0.0009	<b>2LC0160-3AA</b> ■ ■ ■ <b>-0AA0</b>	1.7	
42	265	450	560	8500	0 ... 55	97	80	50	43	26	48	1.5	126	0.0019	<b>2LC0160-4AA</b> ■ ■ ■ <b>-0AA0</b>	2.6	
48	330	550	700	7500	0 ... 62	107	90	56	48	28	50	2.0	140	0.0031	<b>2LC0160-5AA</b> ■ ■ ■ <b>-0AA0</b>	3.6	
55	460	700	925	6500	0 ... 74	123	105	65	57	30	60	2.0	160	0.006	<b>2LC0160-6AA</b> ■ ■ ■ <b>-0AA0</b>	5.2	
65	670	1000	1200	6000	0 ... 82	138	115	75	64	35	65	2.5	185	0.011	<b>2LC0160-7AA</b> ■ ■ ■ <b>-0AA0</b>	7.5	
75	1400	2000	2600	5000	0 ... 96	163	135	85	76	40	75	2.5	210	0.023	<b>2LC0160-8AA</b> ■ ■ ■ <b>-0AA0</b>	11.5	
90	2500	3700	4650	4000	0 ... 120	203	170	100	95	45	85	3.0	245	0.065	<b>2LC0161-0AA</b> ■ ■ ■ <b>-0AA0</b>	21.4	

ØD1: • Without finished bore – Without order codes for diameter and tolerance  
 • With finished bore – With order codes for diameter and tolerance (Article No. without "-Z")

ØD2: • Without finished bore – Without order codes for diameter and tolerance  
 • With finished bore – With order codes for diameter and tolerance (Article No. without "-Z")

Cam ring  
 • 92 ShoreA (red)  
 • 95 ShoreA (green)  
 • 64 ShoreD (blue)

-Z K01  
 -Z K04

#### Ordering example:

N-BIPEX coupling BWN, size 42,  
 Part 1/2: Bore D1 42 H7 mm, with keyway to DIN 6885-1 and set screw,  
 Part 1/2: Bore D2 32 H7 mm, with keyway to DIN 6885-1 and set screw.

Article No.:  
**2LC0160-4AA99-0AA0**  
**LOX+M0T**

The Article No. applies to standard cam rings of 92 ShoreA.

<sup>1)</sup> Mass moments of inertia apply to a coupling half with maximum bore diameter.

<sup>2)</sup> Weights apply to the entire coupling in version with maximum bore.

# FLENDER Standard Couplings

## Flexible Couplings – N-BIPEX Series

Spare parts and wear parts

### Selection and ordering data

Size	Article No. N-BIPEX cam ring			Weight kg
	92 ShoreA	95 ShoreA	64 ShoreD	
19	2LC0160-0WA00-0AA0	2LC0160-0WA00-0AA0-Z K01	2LC0160-0WA00-0AA0-Z K04	0.006
24	2LC0160-1WA00-0AA0	2LC0160-1WA00-0AA0-Z K01	2LC0160-1WA00-0AA0-Z K04	0.02
28	2LC0160-2WA00-0AA0	2LC0160-2WA00-0AA0-Z K01	2LC0160-2WA00-0AA0-Z K04	0.03
38	2LC0160-3WA00-0AA0	2LC0160-3WA00-0AA0-Z K01	2LC0160-3WA00-0AA0-Z K04	0.04
42	2LC0160-4WA00-0AA0	2LC0160-4WA00-0AA0-Z K01	2LC0160-4WA00-0AA0-Z K04	0.07
48	2LC0160-5WA00-0AA0	2LC0160-5WA00-0AA0-Z K01	2LC0160-5WA00-0AA0-Z K04	0.09
55	2LC0160-6WA00-0AA0	2LC0160-6WA00-0AA0-Z K01	2LC0160-6WA00-0AA0-Z K04	0.1
65	2LC0160-7WA00-0AA0	2LC0160-7WA00-0AA0-Z K01	2LC0160-7WA00-0AA0-Z K04	0.2
75	2LC0160-8WA00-0AA0	2LC0160-8WA00-0AA0-Z K01	2LC0160-8WA00-0AA0-Z K04	0.4
90	2LC0161-0WA00-0AA0	2LC0161-0WA00-0AA0-Z K01	2LC0161-0WA00-0AA0-Z K04	0.6

The cam rings of the N-BIPEX coupling are wear parts.  
The service life depends on the operating conditions.

Siemens AG  
Process Industries and Drives  
Mechanical Drives  
Postfach 13 64  
46393 Bocholt  
GERMANY

[www.siemens.com/couplings](http://www.siemens.com/couplings)

Subject to change without prior notice  
Included in Catalog MD 10.1 as of June 2015:  
Article No. E86060-K5710-A111-A5-7600  
E.9115.91.SGT  
KG 0615 8 En  
Produced in Germany  
© Siemens AG 2015

The information provided in this catalog contains merely general descriptions or characteristics of performance which in case of actual use do not always apply as described or which may change as a result of further development of the products. An obligation to provide the respective characteristics shall only exist if expressly agreed in the terms of contract. Availability and technical specifications are subject to change without notice.  
All product designations may be trademarks or product names of Siemens AG or supplier companies whose use by third parties for their own purposes could violate the rights of the owners.